



Montageanleitung WORKS GE

Assembly instructions WORKS GE

23 4 5...



Inhalt

Contents

Montage elektromotorische Tische ***Assembly electromotor version***

Montage Gestell **3**
Assembly frame

Montage Schalter **4**
Assembly switch

Montage 3. Ebene **5**
Assembly 3rd level

Montage Halter für Beinraumblende **6**
Assembly bracket for modesty panel

Montage Kabelkanal **7**
Assembly cable duct

Montage CPU-Halter / Druckeransatz **8**
Assembly computer bracket / printer shelf

Montage Duo-Tische ***Assembly Duo tables***

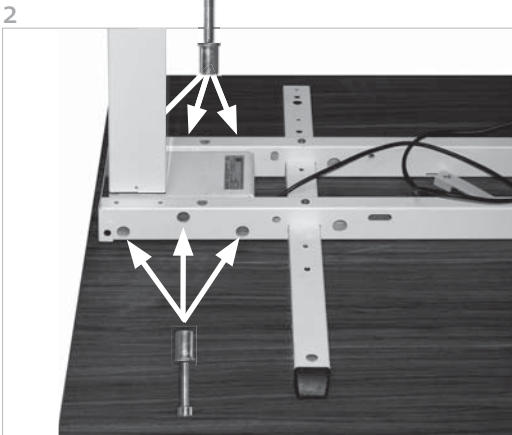
Montage Gestell **9**
Assembly frame

Montage 3. Ebene **10**
Assembly 3rd level

Montage Kabelkanal **11**
Assembly cable duct

Montage Gestell

Assembly frame

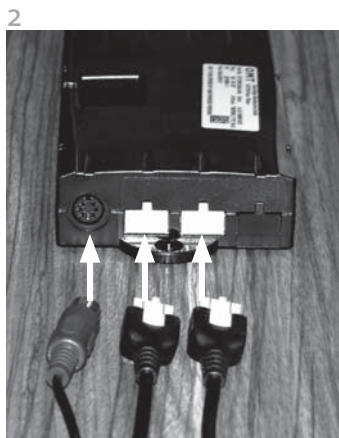
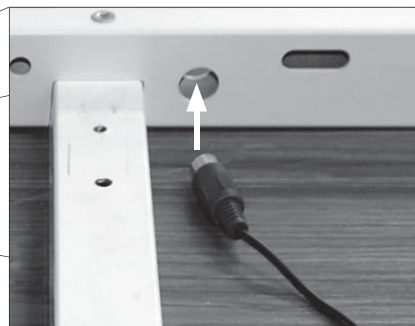
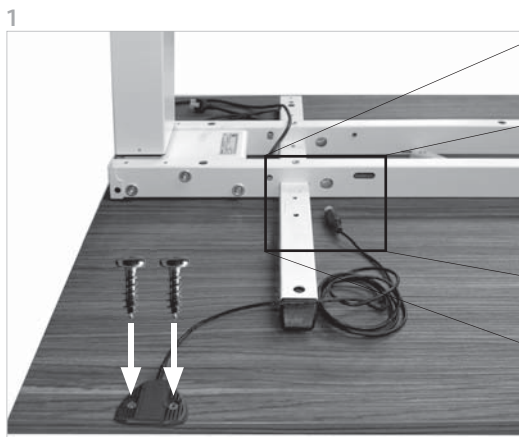


Montage Schalter

Assembly switch

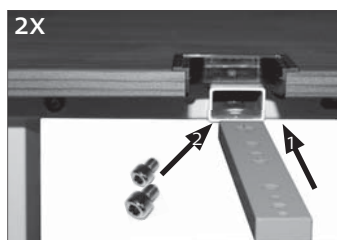
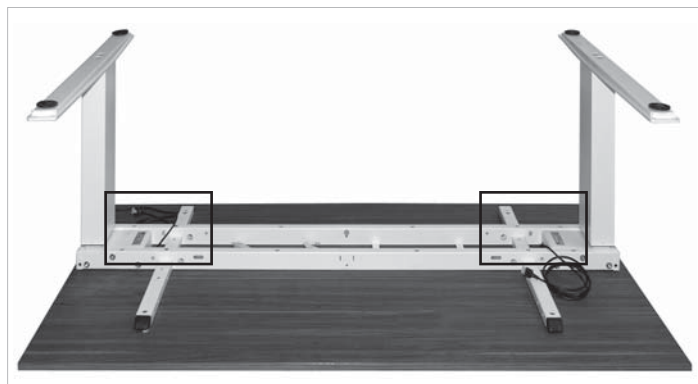


TP 13 mm = 4,5 x 13 PZ2
TP 19 mm = 4,5 x 17 PZ2
TP 25 mm = 4,5 x 17 PZ2

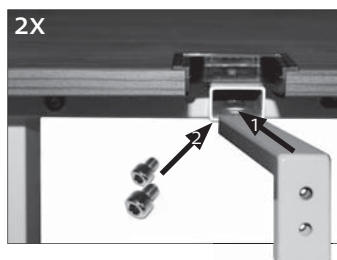


Montage 3. Ebene

Assembly 3rd level



30 Nm

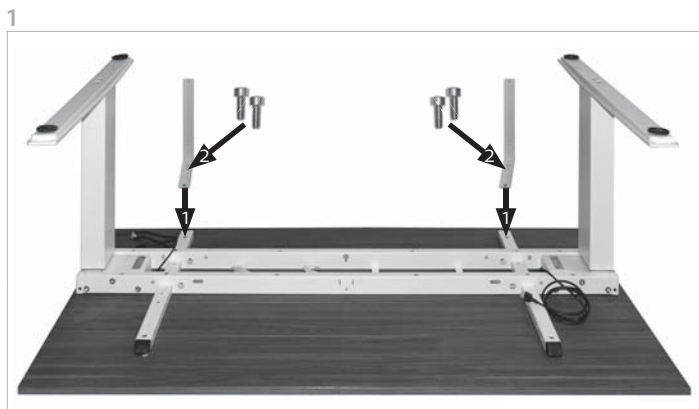
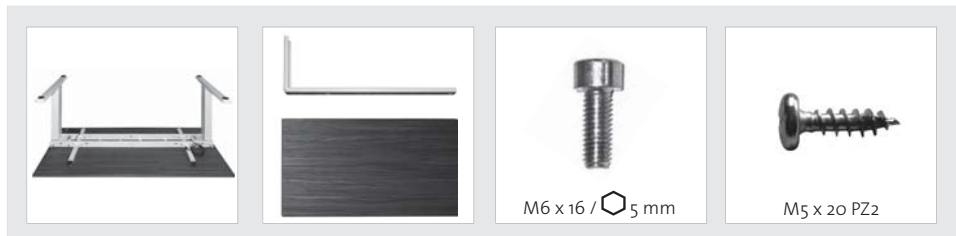


30 Nm

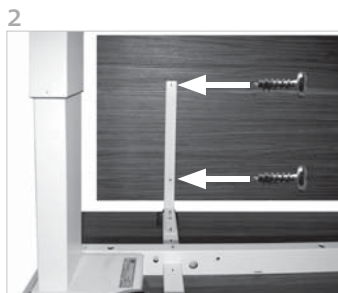


Montage Halter für Beinraumblende

Assembly bracket for modesty panel

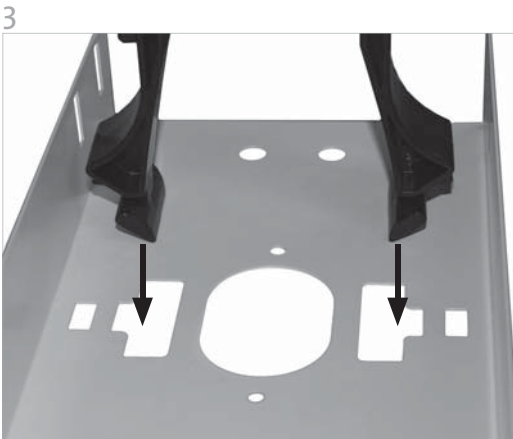


10 Nm



Montage Kabelkanal

Assembly cable duct



Montage CPU-Halter / Druckeransatz

Assembly computer bracket / printer shelf

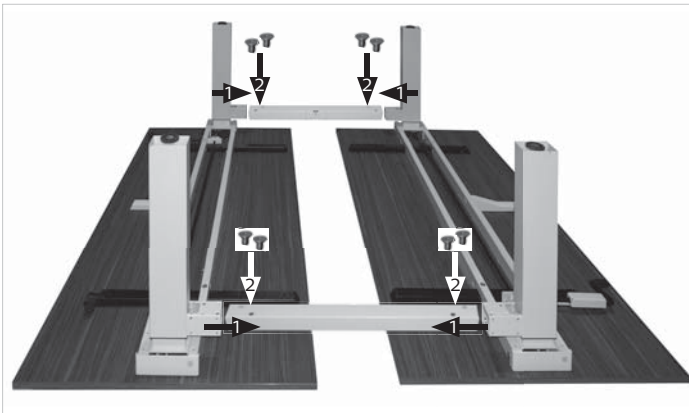


Montage Gestell

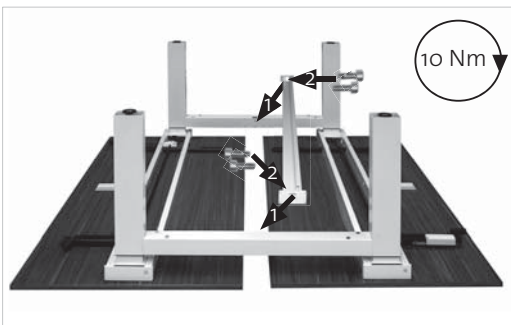
Assembly frame



1

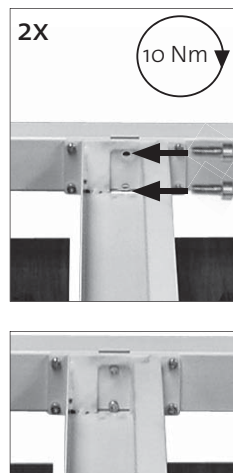
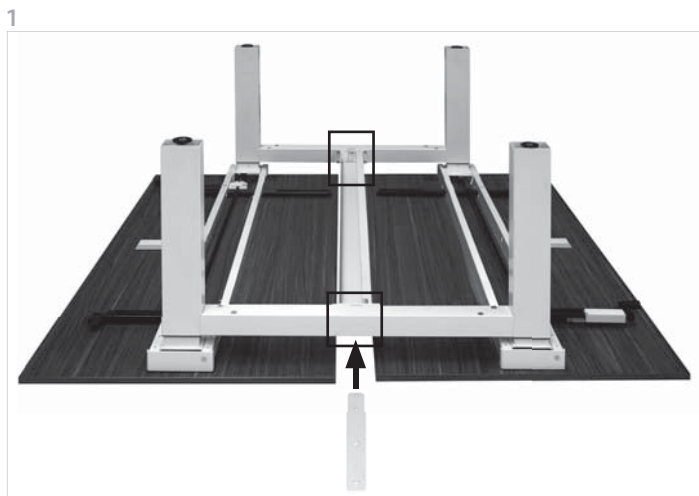


2



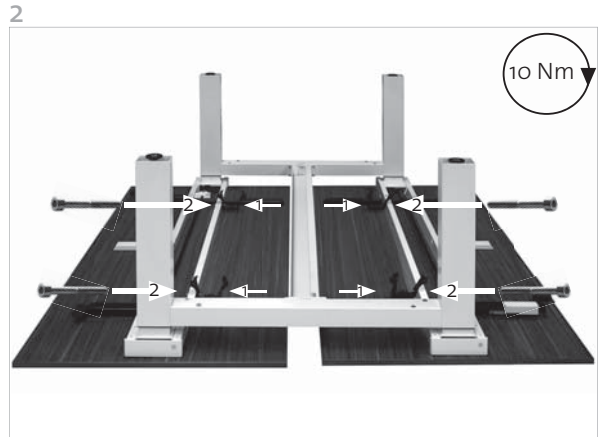
Montage 3. Ebene

Assembly 3rd level



Montage Kabelkanal

Assembly cable duct





Kinnarps' business philosophy is simple. We create efficient, long-term, global solutions to improve the way you work and the prosperity of your business.

Kinnarps GmbH
Mainzer Straße 183
67547 Worms
T +49 (0) 6241 4003 - 0
F +49 (0) 6241 4003 - 1366
info@kinnarps.de
www.kinnarps.de

Kinnarps GmbH
Cammer Straße 17
32423 Minden
T +49 (0) 571 3850 - 0
F +49 (0) 571 3850 - 3010
info.minden@kinnarps.de
www.kinnarps.de

Technische Änderungen, Druckfehler und Modelländerungen vorbehalten. Changes made subject to technical conditions, models, minimal deviations in dimensions and printing errors and mistakes are accepted.
M-20-2016