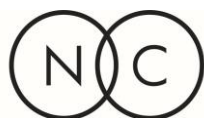


SUSTAINABILITY DECLARATION

KNOP



INCLUSIVE DESIGN

QUALITY AND ENVIRONMENTAL LABELLING



MATERIAL CONTENT:

Wood	27,80 kg	75,4 %
Steel	6,33 kg	17,2 %
Aluminium	2,70 kg	7,3 %
Plastic	0,04 kg	0,1 %
Total	36,87 kg	100 %

*Disclaimer: Material content is based on Knop 930 150*80 cm with birch tabletop.
Numbers may vary based on model and options selected. This applies throughout the declaration.*

RECYCLED MATERIAL:

Post-consumer recycled content	2,08 kg	5,6 %
Pre-consumer recycled content	0,0 kg	0 %
Total recycled content	2,08 kg	5,6 %

RECYCLABILITY:

Plastic	0,04 kg	0,1 %
Steel	6,33 kg	17,2 %
Aluminium	2,70 kg	7,3 %
Total material recycling	9,07 kg	24,6 %

Wood	27,80 kg	75,4 %
Total energy recovery	27,80 kg	75,4 %

TOTAL CO2:



ENERGY VALUE: (in accordance with NF Environnement)

858 MJ

FULFILLED TECHNICAL STANDARDS

- EN 15372 Strength, durability and safety requirements for non domestic table as meeting table, coffee table
- EN 1730 Test methods of test for the determination of strength, durability and stability
- EN 12720 Assessment of surface resistance to cold liquids
- SS 839117 Assessment of resistance to spotting from fat on scratched surface
- EN 12722 Assessment of surfaces resistance to dry heat
- SIS 839117 Assessment of surfaces resistance to scratches

FULFILLED FIRE REQUIREMENTS

- Euroclass D

CHEMICAL DATA

Following have not been added to the product:

Substances on Reach candidate list

Asbestos

Heavy metals

Brominated or halogenated flame retardants

PVC

Hexavalent chromium

COMPANY CERTIFICATIONS

- ISO 14001
- ISO 9001
- OHSAS 18001
- FSC® Chain of Custody

PACKAGING AND TRANSPORT

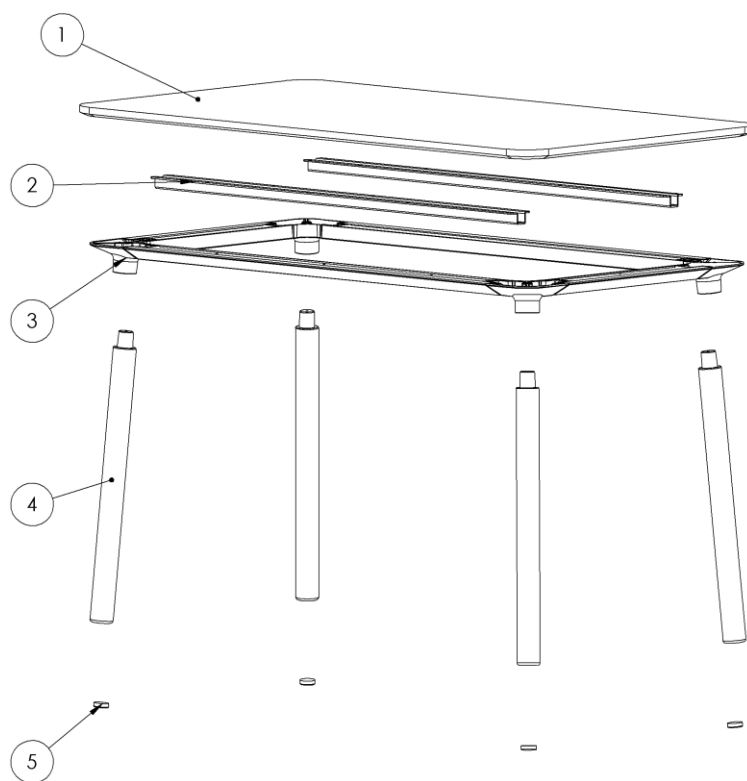
Packaged in recyclable packaging. NC is connected to FTI, the Swedish nationwide recycling system for packaging. Shipped with external carriers.

CARE AND MAINTENANCE RECOMMENDATIONS

Please visit our webpage.

<http://www.ncnordiccare.se/care-instructions/?lang=en>

RECYCLING



Material	ID	Disassembly	Waste fraction
Wood	1, 3, 4	Screwdriver	Combustible waste/Wood
Plastic	5	Hammer	Plastic
Steel	2, 4, 5	Screwdriver	Metal
Aluminum	3	Screwdriver	Metal

**The product should in first hand be reused or remade before recycling its components.*

LEED CONTRIBUTION

The product can contribute to the earning of points within the following credits.

LEED V 4

Interior Design & Construction

MR Credit: Interiors life-cycle impact reduction	Services offered for recycling, refreshing or reusing products. Share of recyclable material in the product: 24,6 %.
MR Credit: Building product disclosure and optimization – sourcing of raw materials	Recycled content: Post consumer 5,6 %, Pre consumer 0 %.

Building Design and Construction

MR Credit: Building product disclosure and optimization – sourcing of raw materials	Recycled content: Post consumer 5,6 %, Pre consumer 0 %.
MR Credit: Furniture and medical furnishings (healthcare)	The product contains no or less than 100ppm hexavalent chromium, heavy metals, PFCs or PFOA, or added anti-microbial treatments. Recycled content: Post consumer 5,6 %, Pre consumer 0 %.

Building Operations and Maintenance

MR Credit: purchasing—facility maintenance and renovation	The product does not contain any substances on REACH Authorization or Candidate list.
---	---

Verified date: 2020-06-30